

The Particle Killer for Technical Cleanliness

For the installation of critical parts, components and systems for the purpose of Technical Cleanliness produced in the context of so-called „Clean Manufacturing“. DEPRAG offers a cost-effective, technically advanced solution that meets the requirements of technical cleanliness for automatic part feeding. Contaminants are collected and extracted in process using vacuum.

Overview

Technical Process:

- Particle extraction using vacuum

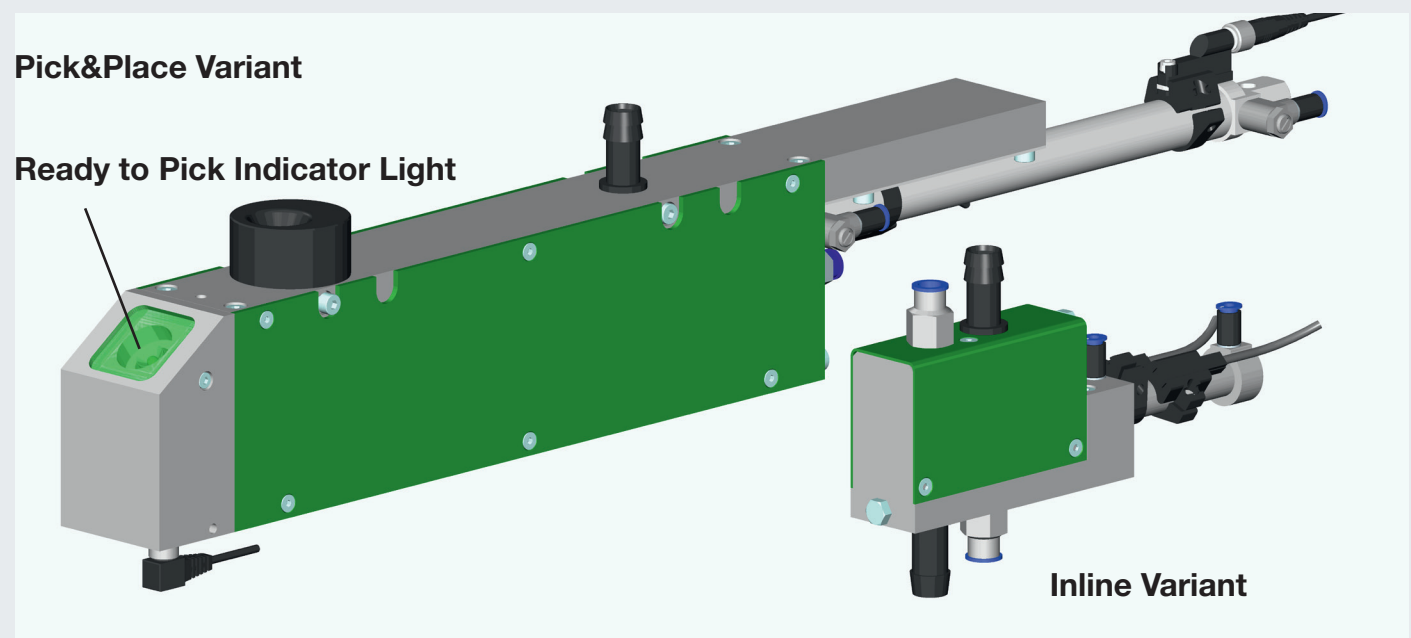
Additional devices/techniques:

- Screwdriving with integrated vacuum connection
- Oscillating rail or sword feeder
- Control (LC or DSEC + DPU)

Your Advantage:

Continuing development concept to achieve the requirements of „Technical Cleanliness“. The complete program of all required individual components from one source.

Images



Technical Data

Required Controls Components:	Pneumatic Valve/Vacuum Generator
Connections:	24VDC PNP
Dimensions (LxWxH):	Inline Variant: 170 x 30 x 120 mm (without hoses)
	Pick&Place Variant:
	540 (due to 160 mm load stroke) x 50 x 125 mm (without hoses)

Function

The component is stopped at position 1 and particulates on the auto fed part (e.g. screw) are extracted via vacuum. The particulates are collected by an exchangeable filter element (which is visible through a viewing pane).

In position 2 the cleaned component is presented either to the auto assembly module tooling (In-line Variant) or to a pick position (Pick&Place Variant).

Application of the following equipment can help to produce the optimal results:

- **Pre-cleaned assembly components (e.g. Arnold Cleancon® screws)**
Fewer particulates due to an additional cleaning process
- **DEPRAG HSF Sword Feeder**
Vibration free part feeding and therefore less particle generation
- **DEPRAG Particle Killer**
Debris in the autofeed process is reduced selectively
- **DEPRAG SFM-V vacuum screwdriving module**
Debris created during the assembly process is extracted using vacuum sources

Your DEPRAG Contact

Daniel Guttenberger
Phone: +49 9621/371-147
Email: d.guttenberger@deprag.de